

emergency showers, eyewash and decontamination solutions

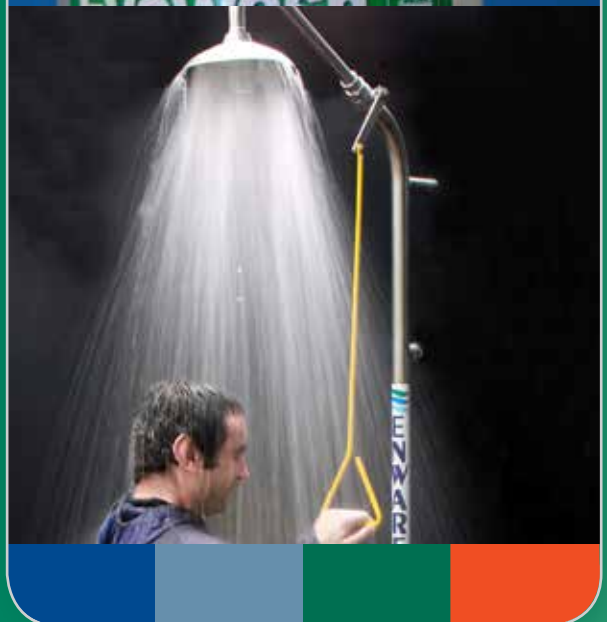
EMERGENCY SHOWERS

EYE AND EYE/FACE WASHES

PORTABLE AND SELF-CONTAINED

LABORATORY SAFETY

DECONTAMINATION SYSTEMS



 **ENWARE**

installing **confidence**

WWW.ENWARE.COM.AU

when seconds count you can count on Enware

MEDICAL AND INDUSTRIAL EXPERIENCES HAVE SHOWN THAT INITIAL FIRST AID TREATMENT FOR MANY HAZARDOUS CONTAMINANTS SHOULD BE TO WASH THE CONTAMINATED PART OF THE BODY AS SOON AS POSSIBLE.

Enware is an Australian manufacturer of emergency deluge and decontamination equipment. Combining the latest manufacturing techniques and design innovations, Enware provides premium quality products world wide.

Manufactured from stainless steel, our wide range of emergency deluge showers, eye/face wash units, platform and self-contained showers are designed for personal safety, particularly in applications such as mining, petroleum and oil refineries, chemical manufacturing and handling, as well as laboratories and hospitals.

At Enware, our flexible manufacturing process means products can be customised to suit your individual needs. Whether it's a self-contained gravity fed shower or additional accessories such as emergency indicator lights and alarms, our design team has a solution for your application.

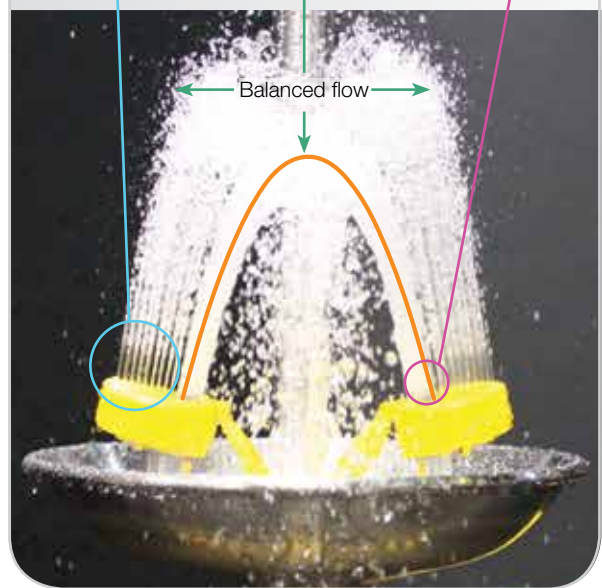


FEATURING NEW BREAKTHROUGH VERTEX TECHNOLOGY




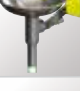
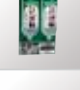





Zero velocity point provides more comfort and control

Independent face wash streams provide optimum coverage

Independent eye wash streams for targeted flushing



CONTENTS

	EMERGENCY SHOWERS Safety showers including free standing, wall or ceiling mounted	03
	COMBINATION SHOWERS Emergency safety shower and eye or eye/face wash in one unit	04
	EYE/FACE WASHES Delivering soft streams of aerated water to rapidly flush eyes and face	06
	EYE WASHES Delivers soft streams of aerated water to rapidly flush eyes	07
	TOBIN EYE WASH RANGE Specially designed system for effective and safe eye washing for industrial applications	08
	SELF-CONTAINED & GRAVITY FED UNITS For on-the-spot eye treatment	09
	LABORATORY EMERGENCY For the unique needs and space limitations associated with laboratory operations	10
	DECONTAMINATION & MULTI-SPRAY SHOWERS Space-saving designs, easy to install on site	12
	SELF-CONTAINED SHOWERS Portable safety systems for remote locations	13
	ACCESSORIES AND SPARE PARTS Enhance your safety system with our range of accessories	14

QUALITY AND PRODUCT CERTIFICATION COMPLIANCE

Enware is a fully accredited Quality Endorsed company to the Internationally Approved Standard AS/NZS ISO 9001:2000 Lic. No. QEC 1213.

Enware's emergency eye wash and shower equipment is Standards Mark Licensed to ANSI Z358.1-2009 Lic. No. SMKP20545. Australian Standard AS4775-2007 Lic. No. SMKP21998.

"These standards establish the minimum performance and use requirements for the emergency treatment of the eyes or body of a person who has been exposed to injurious materials. They cover the following type of equipment: emergency shower, eye wash equipment, eye/face wash equipment, hand held drench hoses and eye wash or eye/face wash equipment" (ANSI Z358.1-2009)



EMERGENCY SHOWERS

SHOWERS - RAPIDLY REMOVE CONTAMINANTS FROM THE BODY

Enware's emergency safety showers assist in the rapid removal of contaminants from the body with a deluge of flushing fluid.

Stainless steel construction provides superior durability and reliability.

- Designed and manufactured in Australia
- Independently tested for compliance to ANSI Z358.1-2009 and AS4775-2007
- Freestanding for stand-alone operation
- Stainless steel pipe work and stay-open ball valve
- Stainless steel 200 mm (8") shower head assembly
- Stainless steel pull rod handle with high visibility yellow epoxy coating
- Stainless steel impeller with drenching spray pattern
- Self-draining design reduces Legionella risk, particularly in tepid water applications
- Retro-fittable design
- Compact shipping carton



To meet ANSI Z358.1-2009 and AS4775-2007 performance requirements Enware safety showers require: Minimum flow rate of 76 lpm (20 US gpm) at a dynamic pressure of 210 kPa (30 psi)

Supply piping shall be adequately sized to meet flow requirements

SIGNAGE

As required for compliant installation

Safety Shower Sign

300 x 400mm

Self Adhesive Sticker: ESS502

Colourbond Metal: ESS503



Emergency Eye Wash Sign

300 x 400mm

Self Adhesive Sticker: ESS501

Colourbond Metal: ESS504



Combination Shower and Eye Wash Sign

600 x 450mm

Colourbond Metal: ESS505



WALL MOUNTED HAND OPERATED DELUGE SHOWER

Order Code:

EW1050 - Stainless Steel Finish

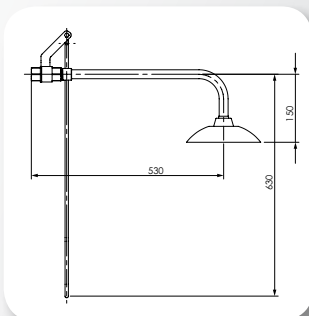
Powder Coated Finish

EW1050GR - Green

EW1050WH - White

EW1050YE - Yellow

EW1050OR - Orange



CEILING MOUNTED HAND OPERATED DELUGE SHOWER

Order Code:

EW1080 - Stainless Steel Finish

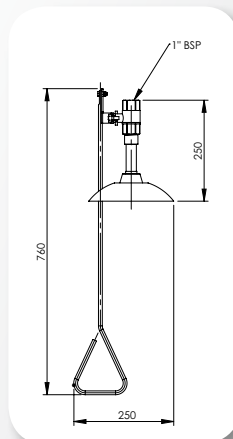
Powder Coated Finish:

EW1080GR - Green

EW1080WH - White

EW1080YE - Yellow

EW1080OR - Orange



EMERGENCY STAINLESS STEEL SHOWER

Order Code:

ECE030 - Stainless Steel Finish

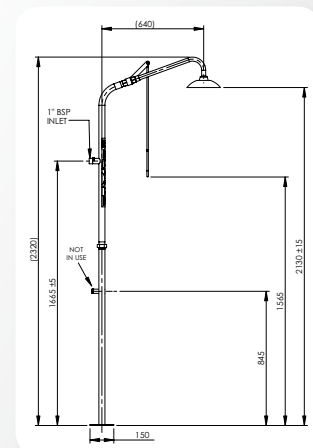
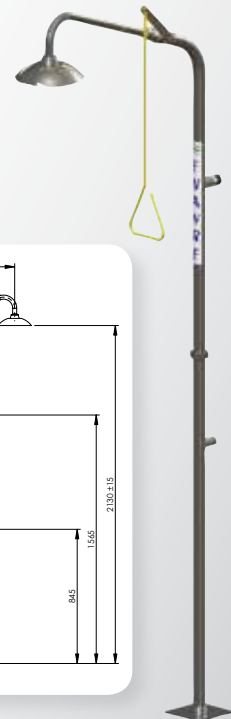
Powder Coated Finish:

ECE030GR - Green

ECE030WH - White

ECE030YE - Yellow

ECE030OR - Orange



EMERGENCY COMBINATION SHOWERS | WITH EYE/FACE WASH

COMBINATION SHOWERS

- Designed and manufactured in Australia
- Independently tested for compliance to ANSI Z358.1-2009 and AS4775-2007
- Freestanding for stand-alone operation
- Stainless steel pipe work and stay-open ball valve
- Stainless steel 200mm (8") shower head assembly
- Stainless steel handle epoxy coated in high visibility yellow
- Hand and foot activated eye/face wash with integral auto-open dust covers
- Self-draining design reduces Legionella risk, particularly in tepid water applications
- Eye/face wash features "Vertex Technology" where eye wash and independently angled face wash streams deliver optimum coverage
- Zero velocity apex point provides more comfort and control for effective cleansing of eyes
- Solid high visibility yellow, low angle foot pedal for easy activation of eye/face wash
- Balanced simultaneous operation



Please see page 14 for more information

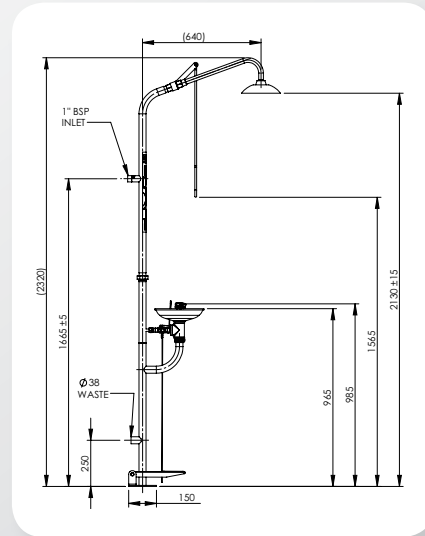
To meet ANSI Z358.1-2009 and AS4775-2007 performance requirements
 Enware safety showers require: Minimum flow rates

- Shower 76 lpm (20 US gpm)
- Eye/face wash 26 lpm (6.9 US gpm)
- Eye wash 17 lpm (4.5 US gpm)
- Combination units 102 lpm (28 US gpm)

at a dynamic pressure of 210 kPa (30 psi)
 Supply piping shall be adequately sized to meet flow requirements

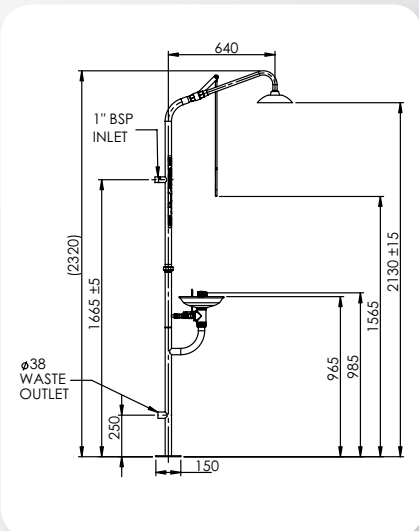
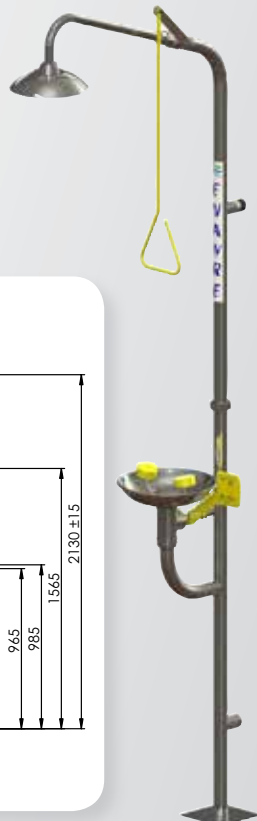
STAINLESS STEEL COMBINATION SHOWER WITH HAND/FOOT OPERATED EYE/FACE WASH

- Order Code:
ECE270 - Stainless Steel Finish
 Powder Coated Finish:
ECE270GR - Green
ECE270WH - White
ECE270YE - Yellow
ECE270OR - Orange



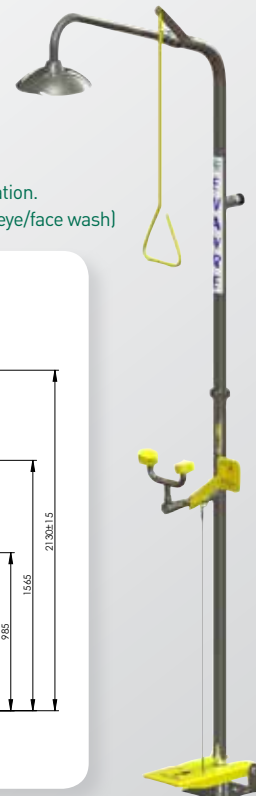
STAINLESS STEEL COMBINATION SHOWER WITH HAND OPERATED EYE/FACE WASH

- Order Code:
ECE240 - Stainless Steel Finish
 Powder Coated Finish:
ECE240GR - Green
ECE240WH - White
ECE240YE - Yellow
ECE240OR - Orange

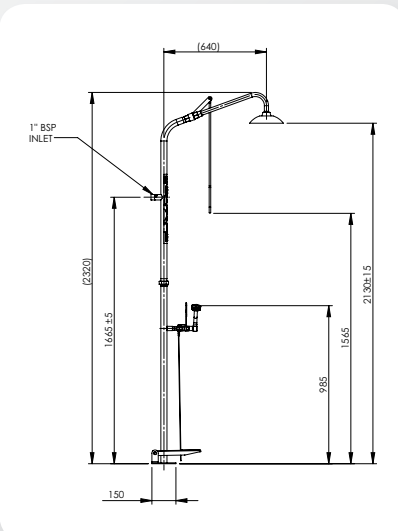


STAINLESS STEEL COMBINATION SHOWER WITH HAND/FOOT OPERATED NO-BOWL EYE/FACE WASH

- Order Code:
ENBE270 - Stainless Steel Finish
 Powder Coated Finish:
ENBE270GR - Green
ENBE270WH - White
ENBE270YE - Yellow
ENBE270OR - Orange



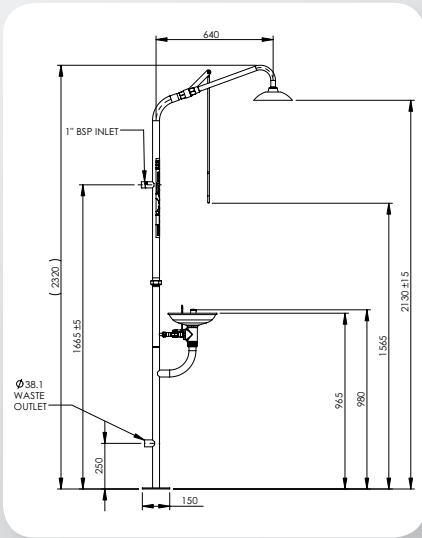
Also available less the foot pedal operation.
 Order code: ENBE240 (hand operated eye/face wash)



EMERGENCY COMBINATION SHOWERS | WITH EYE WASH

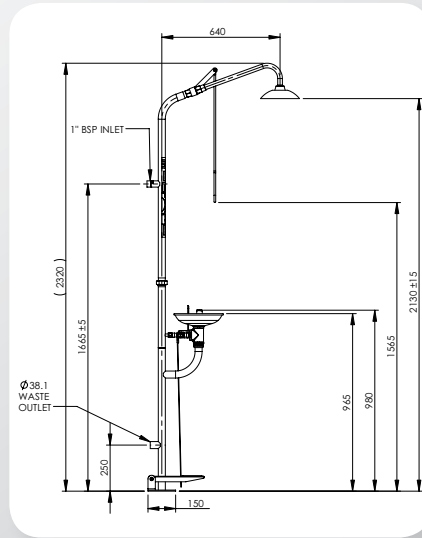
STAINLESS STEEL COMBINATION SHOWER WITH HAND OPERATED EYE WASH

Order Code:
ECE060 - Stainless Steel Finish
 Powder Coated Finish:
ECE060GR - Green
ECE060WH - White
ECE060YE - Yellow
ECE060OR - Orange



STAINLESS STEEL COMBINATION SHOWER WITH HAND/FOOT OPERATED EYE WASH

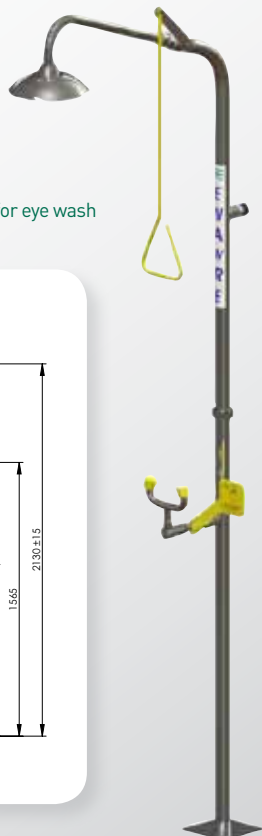
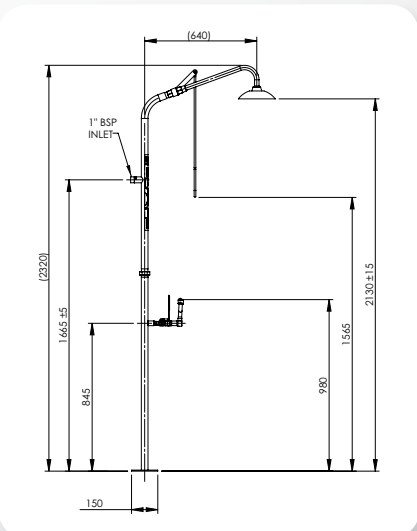
Order Code:
ECE090 - Stainless Steel Finish
 Powder Coated Finish:
ECE090GR - Green
ECE090WH - White
ECE090YE - Yellow
ECE090OR - Orange



STAINLESS STEEL COMBINATION SHOWER WITH HAND OPERATED NO-BOWL EYE WASH

Order Code:
ENBE060 - Stainless Steel Finish
 Powder Coated Finish:
ENBE060GR - Green
ENBE060WH - White
ENBE060YE - Yellow
ENBE060OR - Orange

Also available with foot pedal operation for eye wash
 Order code: ENBE090



FREE STANDING HAND OPERATED SHOWER AND PLATFORM OPERATED EYE WASH

Order Code:
EP1020 - Stainless Steel Finish



EMERGENCY EYE/FACE WASHES

EYE/FACE WASHES - FLUSH HAZARDOUS CONTAMINANTS AND SKIN IRRITANTS FROM FACE & EYES

- Designed and manufactured in Australia
- Independently tested for compliance to ANSI Z358.1-2009 and AS4775-2007
- Freestanding for stand-alone operation
- Stainless steel bowl, stay-open ball valve and hand and foot actuator
- Integral volume adjustment control
- Hand and foot activated eye/face wash with integral auto-open dust covers
- Self-draining design reduces Legionella risk, particularly in tepid water applications
- Eye/face wash features "Vertex Technology" where dedicated eye wash and independently angled face wash streams deliver optimum coverage
- Zero velocity apex point provides more comfort and control for effective cleansing of eyes
- High visibility yellow epoxy coated push handle and foot pedal



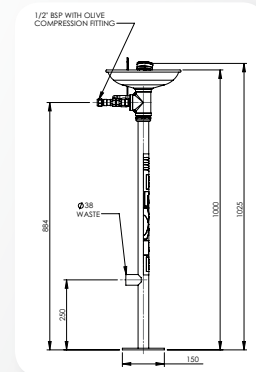
Signage - as required for compliant installation

300 x 400mm
Self Adhesive Sticker: **ESS501**
Colourbond Metal: **ESS504**

*To meet ANSI Z358.1-2009 and AS4775-2007 performance requirements Enware eye/face washes require: Minimum flow rate of 26 lpm (6.9 US gpm) at a dynamic pressure of 210 kPa (30 psi)
Supply piping shall be adequately sized to meet flow requirements*

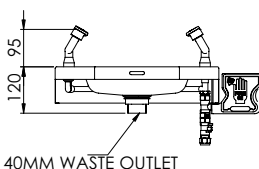
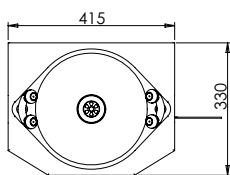
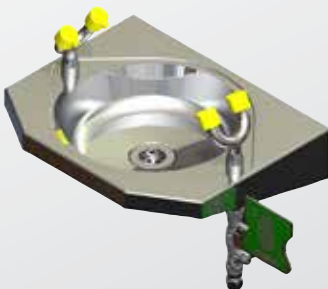
EYE/FACE WASH PEDESTAL MOUNTED - HAND OPERATED

Order Code:
EFE360 - Stainless Steel Finish
Powder Coated Finish:
EFE360GR - Green
EFE360WH - White
EFE360YE - Yellow
EFE360OR - Orange



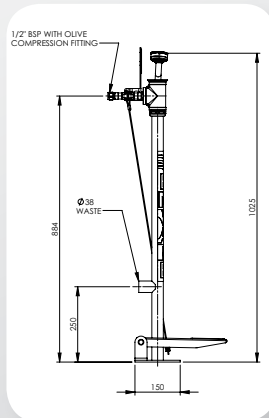
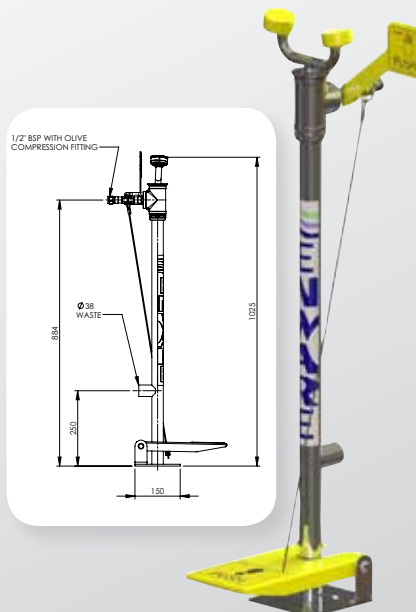
WALL MOUNTED HAND OPERATED EYE/FACE WASH

Order Code:
EF300 - Stainless Steel Finish
Powder Coated Finish:
EF300GR - Green
EF300WH - White
EF300YE - Yellow
EF300OR - Orange



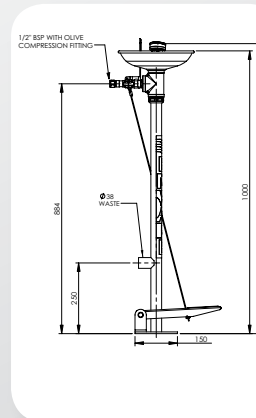
EYE/FACE WASH NO-BOWL PEDESTAL MOUNTED HAND/FOOT OPERATED

Order Code:
ENBE390 - Stainless Steel Finish
Powder Coated Finish:
ENBE390GR - Green
ENBE390WH - White
ENBE390YE - Yellow
ENBE390OR - Orange



EYE/FACE WASH PEDESTAL MOUNTED HAND/FOOT OPERATED

Order Code:
EFE390 - Stainless Steel Finish
Powder Coated Finish:
EFE390GR - Green
EFE390WH - White
EFE390YE - Yellow
EFE390OR - Orange



EMERGENCY EYE WASHES

EYE WASHES - FLUSH HAZARDOUS CONTAMINANTS AND IRRITANTS FROM EYES

- Designed and manufactured in Australia
- Independently tested for compliance to ANSI Z358.1-2009 and AS4775-2007
- Freestanding for stand-alone operation
- Stainless steel bowl, stay-open ball valve and hand and foot actuator
- Hand and foot activated eye wash with soft aerated flow and integral auto-open dust covers
- Zero velocity apex point provides more comfort and control for effective cleansing of eyes
- Self-draining design reduces Legionella risk, particularly in tepid water applications
- Solid stainless, low angle foot pedal for easy activation of eye wash
- High visibility yellow epoxy coated push handle and foot pedal



Signage -
as required for
compliant installation

300 x 400mm

Self Adhesive Sticker: **ESS501**

Colourbond Metal: **ESS504**

To meet ANSI Z358.1-2009 and AS4775-2007 performance requirements Enware eye washes require: Minimum flow rate of 17 lpm (4.5 US gpm) at a dynamic pressure of 210 kPa (30 psi) Supply piping shall be adequately sized to meet flow requirements

EYE WASH PEDESTAL MOUNTED HAND/FOOT OPERATED

Order Code:

EEE210 - Stainless Steel Finish

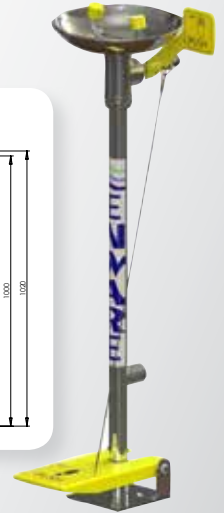
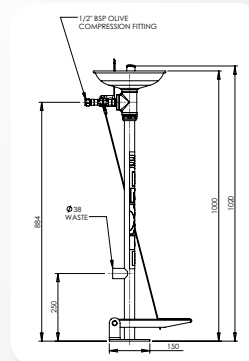
Powder Coated Finish:

EEE210GR - Green

EEE210WH - White

EEE210YE - Yellow

EEE210OR - Orange



WALL MOUNTED HAND OPERATED EYE WASH

Order Code:

EE120 - Stainless Steel Finish

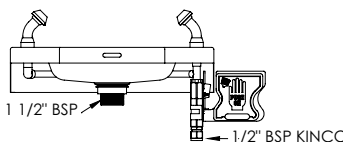
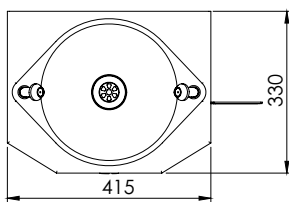
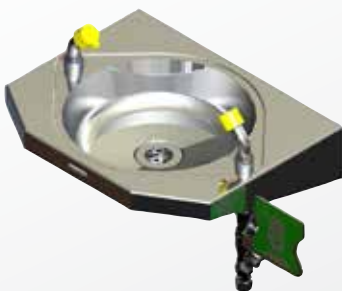
Powder Coated Finish:

EE120GR - Green

EE120WH - White

EE120YE - Yellow

EE120OR - Orange



EYE WASH NO-BOWL PEDESTAL MOUNTED - HAND OPERATED

Order Code:

ENBE180 - Stainless Steel Finish

Powder Coated Finish:

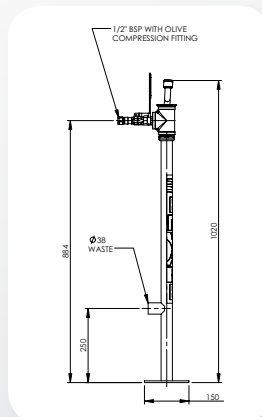
ENBE180GR - Green

ENBE180WH - White

ENBE180YE - Yellow

ENBE180OR - Orange

ENBE210 - Hand Foot Operated



EYE WASH PEDESTAL MOUNTED HAND OPERATED

Order Code:

EEE180 - Stainless Steel Finish

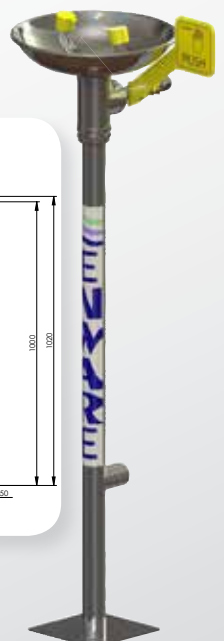
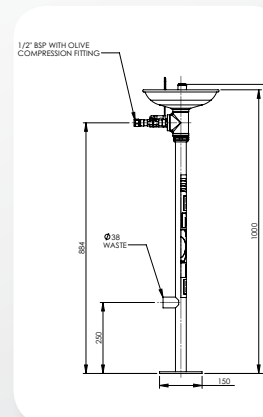
Powder Coated Finish:

EEE180GR - Green

EEE180WH - White

EEE180YE - Yellow

EEE180OR - Orange



TOBIN EYE WASH SYSTEM

EFFECTIVE, STERILE AND SAFE EYE WASHES FOR INDUSTRIAL USE

Tobin's Eye Wash Systems are a well proven, quick and safe way to wash chemicals from the eyes. This specially designed system gives fast application and a volume large enough for most eye accidents.

WITHIN ARMS' REACH

Chemicals in the eye cause serious damage within 1-5 seconds. Washing that begins within a few seconds can be decisive in minimising eye damage. With Tobin an eye wash bottle can be within arms' reach.

CONTROLLED FLOW

A damaged eye must not be washed with a hard/sharp jet. Tobin's bottles are constructed to empty under natural pressure, giving a soft flow. When the bottom air vent is opened a patient cannot increase the flow by squeezing the bottle.

VOLUME

Uninterrupted washing over a long period is particularly important. Specially designed bottles with opened air vent give 3 minutes of continuous flow. Wall stands for stationary work places or transport stand for mobile units. 1 litre sterile bottles with 3 years shelf life from time of manufacture.

In Australia this system is considered supplementary support and may not replace the need for a primary eye wash station as outlined in AS4775-2007.



WALL STAND - 5 BOTTLE

Order Code: **TOB124**
39(H) X 45(W) X 10(D) cm



WALL STAND - 2 BOTTLE

Order Code: **TOB129**
39(H) X 20(W) X 10(D) cm



EYE WASH CABINET

- Includes 2 x 1 litre bottles, cabinet and screws
- 35(H) x 25(W) x 11(D) cm

Order Code: **TOB130**



TRANSPORT STAND

- Includes 2 x 1 litre bottles
- 34(H) x 20(W) x 10(D) cm

Order Code: **TOB127**



POCKET EYE WASH BOTTLE

- Personally carry in pocket
- Enables washing in seconds
- Contains 200ml sterile saline solution

Order Code: **TOB121**



REPLACEMENT BOTTLES

Order Code: **TOB128**
5 x 1 litre Bottle

TOB126
2 x 1 litre Bottle



SELF-CONTAINED EYE WASHES

ENHANCE YOUR SAFETY WITH ENWARE'S RANGE OF NON-PLUMBED SOLUTIONS

Self-Contained or Gravity Fed Eye Wash and Body Spray Units are Enware's non-plumbed solution to enhancing your safety. They can be easily relocated to provide emergency eye wash capability near hazards which helps reduce on-the-job eye injuries and is ideal for sites without plumbing.



GRAVITY FED EYE WASH

- A compact portable gravity fed eye wash unit that provides a full 15 minutes of continuous flow
- To operate fold down the eye wash arm, this activates the water flow and leaves hands free to hold open eyelids for a more effective flush
- Spray outlets are protected from dust, grime and damage by the folded up arm
- Made from FDA green high-density polyethylene, with an orange fold down arm for easy identification
- Moulded handle on top allows easier handling and is designed to fit neatly on the wall-mounting bracket supplied with every unit
- 35 litre tank capacity
- A wide fill opening with threaded cap permits easy inspection, cleaning and filling. Using the ESS200 bacteriostatic preservative allows storage of water for up to a maximum of 6 months
- Supplied complete with: wall bracket and one bottle of bacteriostatic additive to preserve the water

Order Code: **EL483**



PORTABLE EYE WASH/BODY SPRAY 45L

- 'Soft Spray' flow controlled eye wash outlets
- Stainless steel hand actuator & stay-open ball valve
- Trigger action hand held body spray with 1.5m hose
- Safety pressure relief valve and pressure gauge
- Pressurised by plant or bottle air via tyre filler connection - pressurise to 500kPa (71psi)
- 45L (10G) potable water capacity

Order Code: **EL481**



PORTABLE EYE WASH 45L

- 15 minutes of eye wash flow time
- 'Soft Spray' flow controlled eye wash outlets
- Stainless steel hand actuator & stay-open ball valve
- Stainless Steel tank
- Safety pressure relief valve and pressure gauge
- Pressurised by plant or bottle air via tyre filler connection - 500kPa (71psi)
- 45L (10G) potable water capacity

Order Code: **EL482**



EYE WASH TROLLEY

- Makes the 45L Eye Wash/Body Spray portable
- Strong 100% polyethylene construction, won't rust or corrode

Order Code: **E7301-BK**



ANTI-BACTERIA WATER PRESERVATIVE CONCENTRATE

- One bottle preserves 15 to 70 litres for up to a maximum of 6 months
- Sold in cases of 4

Order Code: **ESS200**



PORTABLE EYE WASH/BODY SPRAY 9L

- Single aerated outlet and 1.5m hose
- Pressurised by plant or bottle air via tyre filler connection
- Pressurise to 700kPa (100psi)
- 9L (2G) potable water capacity
- Green powder coated finish

Order Code: **EL480**



LABORATORY EMERGENCY

EYE WASHES AND SUPPLEMENTARY SUPPORT FACE AND BODY SPRAYS

- Quick response to spills of hazardous substances, including acid and alkalis
- Providing easily accessible and quickly usable hazard reduction
- When hazardous substances make contact with the human eye and delicate tissue, damage can be immediate and response time is critical - eye wash and body spray equipment near workplace hazard locations is good risk management
- Ideal for industrial, commercial and educational situations

To meet ANSI Z358.1-2009 and AS4775-2007 eye wash outlets need to be between 838mm to 1143mm from the surface where the user stands.



Signage -
as required for
compliant installation

300 x 400mm
Self Adhesive Sticker: **ESS501**
Colourbond Metal: **ESS504**



SWIVEL OVER SINK MOUNTED EYE WASH

- Swivels over sink when required
- Bright chrome plated
- Powder coated option available

Order Code:

EL570

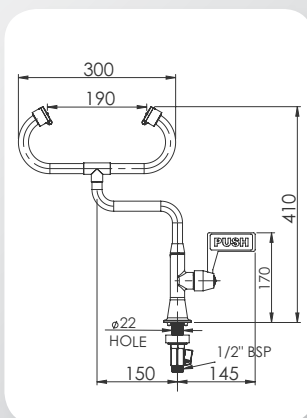
Bench Mounted

Standard Chrome Finish

EL570E

Bench Mounted

Epoxy Coated Finish



Note: for AS4775-2007 compliance the outlet height when in the on position must be between 838 and 1143mm from floor.

BENCH MOUNTED PULL DOWN EYE WASH

- Wall or bench mounted models
- Pull down eye wash arm to activate water flow
- Soft aerated outlets with flip-top dust covers

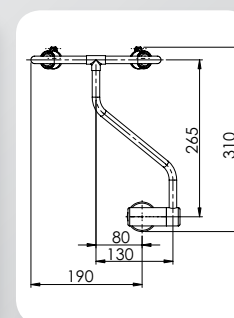
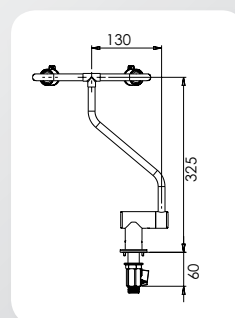
Order Code:

EL486 - Bench Mounted

EL487 - Wall Mounted



Note: for AS4775-2007 compliance the outlet height when in the on position must be between 838 and 1143mm from floor.



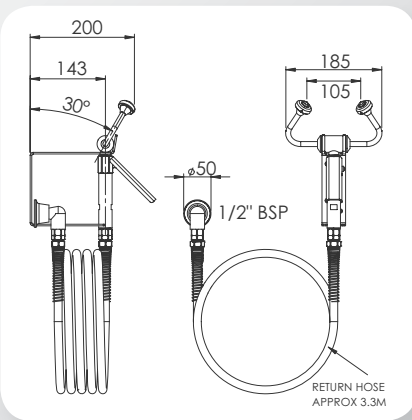
LABORATORY EMERGENCY

WALL MOUNTED HAND HELD EYE WASH AND BODY SPRAY

- Premium grade nylon 3.3m self-coiling hose allows for body spray flushing of incidental contaminants from the body
- Includes angled eye wash outlets
- Stay open ball valve activation lever on outlet handle



Order Code: **EL485**

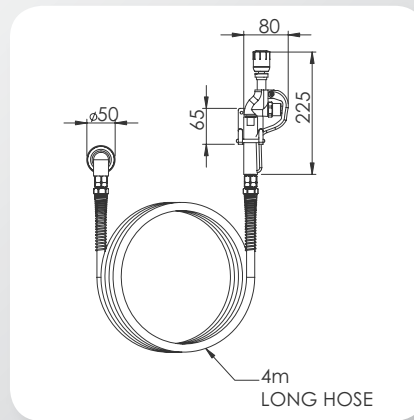


Note: for AS4775-2007 compliance the outlet height when in the on position must be between 838 and 1143mm from floor.

WALL MOUNTED HAND HELD SINGLE OUTLET EYE WASH AND BODY SPRAY

- Aerated adjustable spray nozzle
- Chrome plated brass body
- Premium grade nylon 4m self-coiling hose

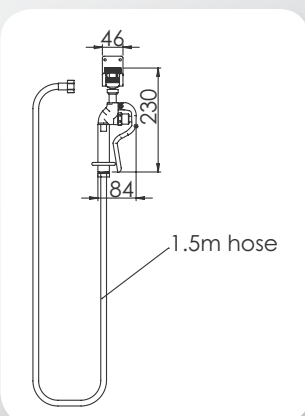
Order Code: **EL450**



WALL MOUNTED HAND HELD SINGLE OUTLET EYE WASH AND BODY SPRAY

- Aerated adjustable spray nozzle
- Chrome plated brass body
- Stainless steel braided 1.5m hose

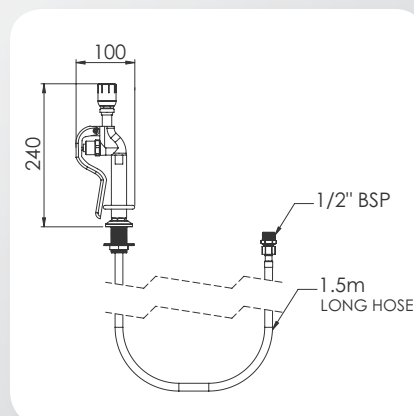
Order Code: **EL420**



BENCH MOUNTED HAND HELD SINGLE OUTLET EYE WASH AND BODY SPRAY

- Aerated adjustable spray nozzle
- Chrome plated brass body
- Stainless steel braided 1.5m hose

Order Code: **EL540**



MULTI-SPRAY AND PORTABLE SHOWERS

FREE STANDING MULTI-SPRAY DECONTAMINATION SHOWERS

- For decontamination where hazardous substances are used
- Multi-sprays for maximum coverage of clothing
- Highest quality components ensure reliability
- Stainless steel construction for maximum durability and reliability

Inlet Connection: 32 mm (1 1/4") BSP

NPT and flange connections available for petro-chemical and offshore applications

Minimum Flow Rates: 76 lpm (20 gpm)

Mounting: Floor Flange

FREE STANDING PLATFORM OPERATED MULTI-SPRAY SHOWER

- 16 Multi-spray outlets
- Step on operation
- Two side panels for walk through decontamination

Order Code: EM630

Side Panels can be Powder Coated in: Green, White, Yellow and Orange. Please specify when ordering.



Stepping on platform activates shower.

PORTABLE HAZCHEM DECONTAMINATION SHOWER

- Space-saving design
- Stores easily when not in use
- Quick and easy to assemble
- Folds up for easy transportation and storage
- Weight 25kg

Order Code: EM810 - 6 Spray

ALSO AVAILABLE:

Order Code: EM840 - 24 Spray



FREE STANDING PLATFORM OPERATED MULTI-SPRAY SHOWER WITH HAND OPERATED EYE/FACE WASH

- 16 Multi-spray outlets
- Three side panels
- Step on shower activations
- Hand operated eye/face wash

Order Code: EM690

Side Panels can be Powder Coated in: Green, White, Yellow and Orange. Please specify when ordering.



FREE STANDING HAND OPERATED MULTI-SPRAY SHOWER & EYE/FACE WASH

- 16 Multi-spray outlets
- Three side panels
- Hand operated eye/face wash

Order Code: EM660

Side Panels can be Powder Coated in: Green, White, Yellow and Orange. Please specify when ordering.



FREE STANDING DUAL PLATFORM OPERATED MULTI-SPRAY SHOWER & EYE/FACE WASH

- 16 Multi-spray outlets
- Three side panels

Order Code: EM900

Side Panels can be Powder Coated in: Green, White, Yellow and Orange. Please specify when ordering.

ALSO AVAILABLE: FREE STANDING DUAL PLATFORM OPERATED MULTI-SPRAY SHOWER & EYE/FACE WASH WITH AUDIBLE/VISUAL ALARM & FLOW SWITCH
Order Code: EM930



RELOCATABLE SELF-CONTAINED EMERGENCY SHOWER WITH EYE WASH

FULLY SELF-CONTAINED SAFETY SYSTEM

- Portable, relocatable design
- AS4775-2007 and ANSI Z358.1-2009 compliant
- No need for mains power connection
- No need for plumbing connection
- 2mm stainless steel construction to withstand harsh environments
- Stainless steel shower head and impeller for maximum durability
- Emergency eye wash - hand operated with dust covers on outlets
- Self monitoring alerts system visible from distance
- Blue light indicates all systems working
- Amber warning light to indicate battery power, water level or water temperature needs to be checked
- Red light and audio alarm to indicate emergency equipment is in use
- Solar panels with 40W maintenance free extra durable battery
- Integrated pallet for portability with a fork lift
- LED display to show water level, battery power and water temperature
- 1340L insulated tank with non-absorbent insulation
- 2 refill options - 1" rapid bulk fill and a smaller integrated pump for top up and re-use of test water
- Dedicated shower and separate eye wash pumps
- Lugs for crane lifting
- Ideal for mining, defence and heavy industry applications where services are limited



Order Code: **EM850**



We can build units to suit your specific needs.
Contact Enware for more information

GRAVITY TANK SHOWER

- This gravity fed deluge shower was specifically designed for remote mining applications, where no plumbed water is available.
- Incorporates a 3000 litre water tank.
- Available with end connections for inlet and waste to suit your site requirements
- Available with optional shade cloth

Order Code: **EMS690**



ACCESSORIES

SIGNAGE



Safety Shower Sign

300 x 400mm
Self Adhesive Sticker: **ESS502**
Colourbond Metal: **ESS503**



Emergency Eye Wash Sign

300 x 400mm
Self Adhesive Sticker: **ESS501**
Colourbond Metal: **ESS504**



Combination Shower and Eye Wash Sign

600 x 450mm
Colourbond Metal: **ESS505**



ANTI-STATIC SHOWER TESTER

Waterproof, anti-static, lightweight, durable design. Simply attach to shower head, secure draw cord and place other end in a bucket. (Bucket not included)

Order Code: **EST100**

THERMAL RELIEF VALVE

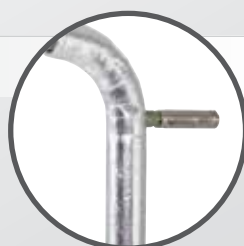
When the water temperature rises above safe limits, and a danger of scalding exists, the thermal actuator modulates the valve open. A small sample of the water from the pipe system then flows past the sensor. If the water is above the acceptable range, the valve will continue to modulate open until the over temperature water is eliminated. When the water temperature returns to the safe range, the valve then modulates closed, minimising water loss.



Order Code: **EAA970**

THERMAL INSULATION

Insulation is available contact your Enware representative for more information.



Contact Enware to design a monitoring and alarm system specific to your needs.

ANTI-FREEZE VALVE

- Stainless steel body, fittings, spring and plug
- Corrosion resistant - long service life
- Narrow temperature band
- Compact, low mass - fast response
- Ram-type plug for reliable tight shut-off
- Downstream actuator for greater sensitivity
- Sensitive to temperature only
- Unaffected by pressure variations
- Easy installation with pipe wrench
- Discharges the minimum amount of water required to prevent freeze damage



Order Code: **EAA971**

FLOW SENSOR

- Activates local and remote alarm systems
- Sensor becomes operational when the safety system is turned on and water begins to flow
- Available in DC and AC, electronic and mechanical



Contact Enware to design a monitoring and alarm system specific to your needs.

PRESSURE SENSOR

- Sensor warns of unsafe pressure
- Used in areas where water pressure fluctuations could hinder the correct operation of the safety system



Contact Enware to design a monitoring and alarm system specific to your needs.

PROXIMITY SWITCH

- Alternate method to flow sensor for alarm activation



Contact Enware to design a monitoring and alarm system specific to your needs.

ACCESSORIES

Contact Enware to design a monitoring and alarm system specific to your needs.

AUDIO VISUAL ALARM

- Helps increase awareness and safety when safety system is in use



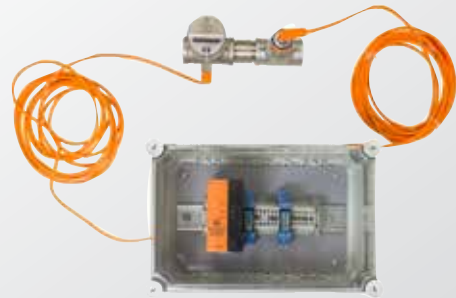
EMERGENCY LIGHTING

- For hazardous and non-hazardous application
- Green fluorescent lighting used to indicate location of safety system

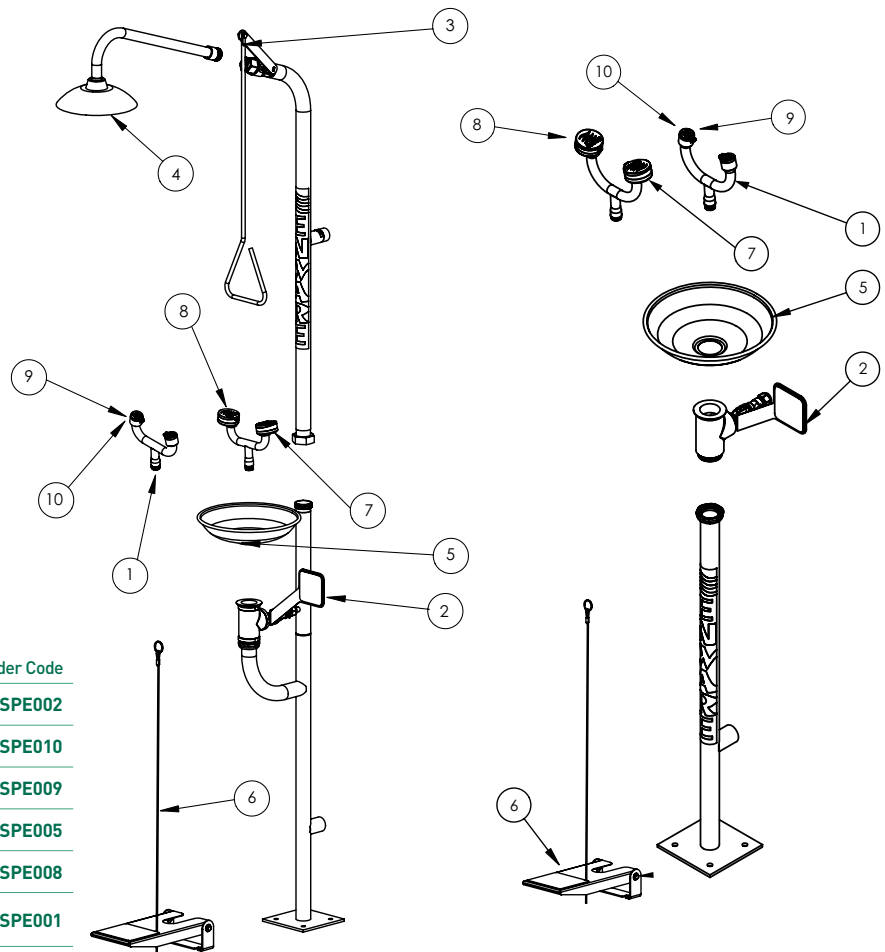


ALARM SYSTEMS

- These systems can be local, remote or a combination of both and are used to notify that the safety system is in use
- Activated by Flow Sensor, Pressure Sensor or Proximity Switch



SPARE PARTS



	Order Code
① Eye wash outlet frame only	ESPE002
② Push Pull Handle to suit eye/face control	ESPE010
③ Pull handle to suit shower operation	ESPE009
④ Shower arm and rose	ESPE005
⑤ Bowl only	ESPE008
⑥ Foot operation conversion kit for eye & eye/face wash	ESPE001
⑦ Eye/Face Wash outlet	ESPE012
⑧ Aerator to suit eye/face wash only	ESPE013
⑨ Eye wash aerator and washer	ESPE015
⑩ Eye wash dustcover with aerator pair	ESPE016

ALSO AVAILABLE FROM ENWARE

ENPAC - SPILL CONTAINMENT AND DISPENSING SOLUTIONS

- Overpack salvage drums
- Drum dispensing
- Mobile dispensing
- IBC containment
- Spill pallets
- Portable containment



FAST-ACT CHEMICAL HAZARD CONTAINMENT AND NEUTRALISATION SYSTEM

- Effective against a wide range of toxic chemicals, including Acids, Halogenated & Phosphorus Compounds and Caustic Gases
- Neutralises both liquid and vapour
- Rapid acting upon contact
- Safe non-toxic, non-corrosive, non-flammable and environmentally friendly
- Easy to operate portable delivery systems



ENWARE IN BRIEF

Enware is a world-leading Australian designer and manufacturer of quality specialist commercial tapware solutions and safety systems.

Since inception in 1937, Enware Australia has grown significantly.

Today, Enware has offices located around the country and is represented in major regions throughout the world including Asia, the Pacific, the Middle East and Europe. As a global leader of specialist tapware and safety systems, Enware offers a more extensive range than any other company on the market.

SOPHISTICATED MANUFACTURING DELIVERS PREMIUM QUALITY

To develop our innovative specialist products we use extensive market research, our technical know-how and experience.

Our precision manufacturing plants ensure the quality and reliability for which Enware products are renowned, with our continued commitment to meeting Australian and international standards.

We strive to exceed your expectations by providing durable, dependable products that offer water efficient solutions and are designed and manufactured in an environmentally caring manner.


installing **confidence**

ADDRESS: 9 Endeavour Road, Caringbah NSW 2229 Australia
POSTAL ADDRESS: P.O. Box 2545, Taren Point NSW 2229 Australia
PHONE: 61 2 8556 4000 FAX: 61 2 8556 4055
1300 369 273 (AUS) WWW.ENWARE.COM.AU INFO@ENWARE.COM.AU

